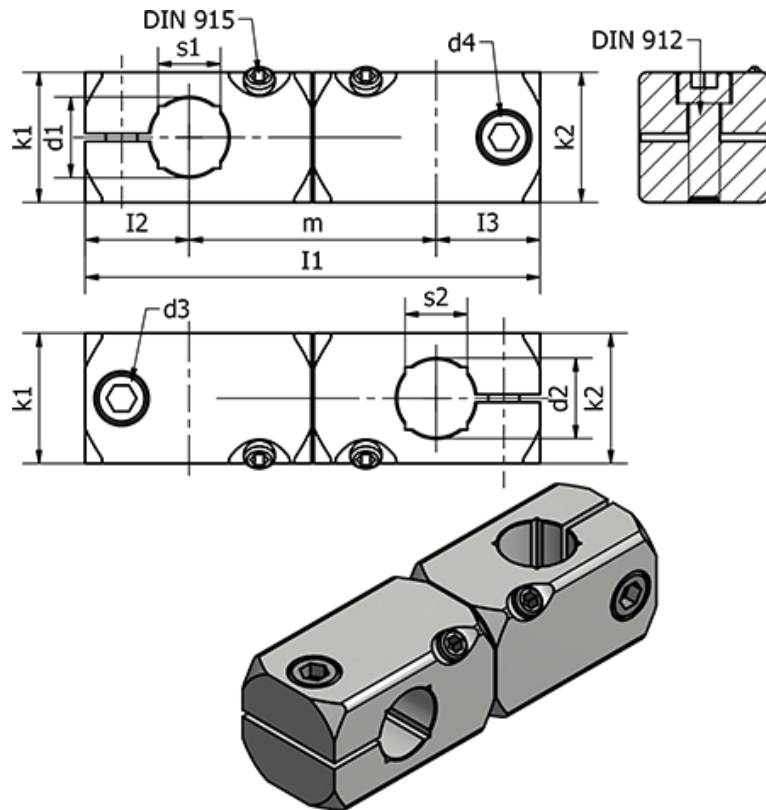


Article number: 20475B15B10MT

Description: E+G Two-way clamp mounting - GN 475-B15-B10-MT

Measures



Clamping kit for d3 = GN 511-M6-25

Clamping kit for d4 = GN 511-M4-16

d1 = 15

d2 = 10

d3 = M6

d4 = M4

I1 = 75.5

I2 = 20

I3 = 15.5

k = 25

k2 = 16

m = 40

s1 = 12

s2 = 8

Weight (g) = 105